

KX

KX080-3

FEATURES



Clean-running Kubota Engine

A 70-horsepower Kubota diesel engine provides the energy behind the powerful KX080-3 working performance. The 203.3 cu. in. direct-injection engine contributes to easy starting on those cold mornings, low sound levels, and energy-saving fuel economy. And because Kubota is environmentally conscious, the engine complies with the EPA's 2008 interim Tier IV emissions regulations—without losing horsepower or ease of operation.



Electric Fuel Refilling Pump

The KX080-3's standard refueling pump includes a hose long enough to refuel from a fuel tank. With this pump, the tank can be completely filled in approximately three minutes with just a simple push of a button. Upon completion, an auto-stop feature ends fueling to eliminate spillage.



Auto Idling System

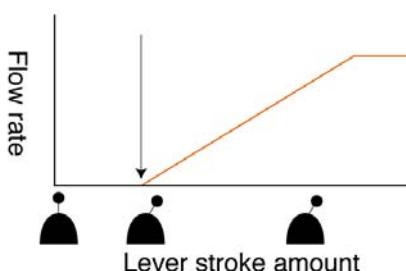
Save fuel with Kubota's Auto Idle. Reduce engine RPM instinctively when high engine speed isn't needed. When the control levers are in neutral for more than 4 seconds, the engine RPM automatically idles. Move any control lever and the engine RPM immediately returns. This innovative feature reduces noise and exhaust emissions while reducing operating costs.



Auto-Shift Travel Motors

Now your excavator moves how you want it to—even at high speeds. When working with heavy loads, making turns or backfilling trenches, the system automatically downshifts for more torque. This shift is so smooth and seamless you'll feel as though you've never left high speed. When operating in low speed, traction has also been increased by 9% to help ensure an efficient and productive day on the job.

Front attachment starts to move



3-pump Load-Sensing Hydraulic System

Kubota's load-sensing hydraulic system guarantees smoother handling, regardless of load size. It allows hydraulic oil to flow according to your precise needs. The KX080-3's new 3-pump load-sensing system also allows you to perform simultaneous operations, such as dozing and utilizing front attachments, without losing speed.

KX

KX080-3

FEATURES



ROPS/FOPS Cabin

The OSHA-certified ROPS/FOPS cabin provides protection in the event of accidental rollovers and falling objects.



Boom Anti-Drop Valve

Standard equipment on the KX080-3, the anti-drop valve prevents an elevated load from dropping unexpectedly.



Dozer Blade

With the high capacity dozer blade, you don't need separate machines for site prep, digging, and finish work. Save money, time, and personnel!



Stability and Working Range

The KX080-3 design combines smooth, harmonized, hydraulic system performance with optimum balance in a tight tail swing excavator for versatile stability. Together with extended dumping height, a swing boom, large bucket capacity and deep digging depth, the KX080-3 can match or exceed the latest high-capacity dumper, tipper, and construction site requirements.

Industrial Digging Force

You need exceptional power when trenching through compacted soil. With the KX080-3, elevated productivity levels are certain with the combination of 14,660 lbs. bucket force and 8,554 lbs. arm forces. The KX080-3 powers through those demanding applications so that you can quickly move on to the next job.

KX

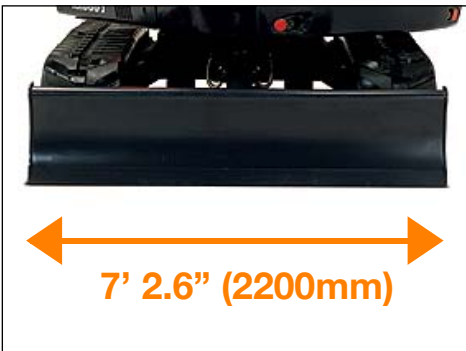
KX080-3

FEATURES



Tight Tail Swing

The KX080-3 is designed with a shorter rear overhang. Thanks to this contoured, tight tail design, the KX080-3 has excellent stability, can handle a wider range of loads, and can work in more restrictive spaces than traditional tail swing excavators.



Compact Machine Width

The KX080-3 is narrower than competitor models. Its compact 7'2.6" width makes it ideal for working in close conditions, and much easier to transport between job sites.



Triple Opening Hood

All three of the excavator's access panels can open at once. This allows you to easily inspect and view the centrally located components of the KX080-3. You can easily access the hydraulic components under the center hood, or the battery, oil filter and tool box under the right hood. Maintaining your excavator has never been this easy.



Steel Crawler (Optional)

A rugged steel crawler is an excellent option for using your KX080-3 on worksites that may compromise the durability or integrity of the standard rubber crawler. In addition to an 18-inch crawler, an extra-wide 24-inch model is available for increased flotation.



Two-Piece Hose Design

Kubota's innovative two-piece hose design for the dozer blade reduces hose replacement time by nearly 60% compared to non-joint types. This design virtually eliminates the need to enter the machine for maintenance.

KX

KX080-3

FEATURES



Increased Traction

The traction, when operating in low speed, has been increased by 9% to help ensure an efficient and productive day on the job.



Underbody Cover

The underbody beneath the engine features a mesh cover to prevent gravel and soil from entering.



Digital Panel

Informative, interactive and functional, Kubota's Intelligent Control System LCD panel accurately displays timely diagnostic readings and routine maintenance alerts. You'll be kept informed of your current working conditions, engine RPM, temperature and oil levels. It even emits an alert when the tank is nearly full during refueling. These new features help reduce downtime and costly repair fees.



Adjustable Maximum Oil Flow Control for Auxiliary Port

This unique function lets you control the oil flow according to your needs or the attachment in use. It eliminates the hassle of using tools to change settings manually, so you don't have to leave the cabin. When using a tilt bucket, you can slow the flow to get just the right control to gently shape a swale. Alternatively, for a brush cutter, direct the oil flow to one side of the excavator arm. The system will even store your settings for the next time you need it, saving time and quickly regulating the flow requirements. Adjustable oil flow enhances performance and saves fuel.



Easy-open Front Window

Unlike many excavator windows, the front glass window of the KX080-3 opens with ease. Just flip the latch on the side of the window and slide it up. A gas-assist mechanism makes this action almost effortless.

KX

KX080-3

FEATURES



Air Conditioner

The KX080-3 features an air conditioner/ heater for greater climate control. In addition, fresh outside air can be easily introduced by activating the external air vent.



Deluxe Suspension Seat

Designed and engineered with comfort in mind, Kubota's high-back suspension seat reduces strain and minimizes operator fatigue. It reclines to accommodate your individual posture, and offers weight compensation, firm wrist support and retractable seat belts.



TPSS

The Two-Pattern Selection System can shift control styles, whether it's the ISO pattern or the SAE backhoe pattern, with the simple turn of a switch, and without tools or leaving the cabin.



Advanced Visibility Mirrors

Kubota has reshaped the rear-view mirror to offer a wider range of visibility. Together with the two side-view mirrors, you get a better view of your worksite, as well as your immediate surroundings.



Overload Alarm

To better ensure worker safety and equipment condition, the KX080-3 comes equipped with an overload alarm. This alarm alerts the operator when load capacity has been exceeded, helping to prevent possible injury to workers and costly damage to the excavator and worksite.

KX

KX080-3

Kubota

FEATURES



Cup Holder

Digging can be thirsty work, and with the convenient cup holder, you can work and still quench your thirst without leaving the cabin.