

# R

# R420S

# SPECIFICATIONS

## Specifications

	MODEL	ROPS/FOPS	2-Post Canopy	R420S	Cab
ENGINE	MAKE & MODEL		Kubota D1503-M-T-E3		
	TYPE		Liquid cooled, 3-Cylinder Diesel		
	HORSEPOWER (SAEJ 1995 gross)		41.2 @ 2,600 rpm		
	(SAEJ 1349 net)		39.0 @ 2,600 rpm		
	DISPLACEMENT		91.4 cu. in.		
	TURBOCHARGER		YES		
E-TVCS		YES			
DIMENSIONAL SPECIFICATIONS	OVERALL HEIGHT	A	98.8"		103.5"
	OVERALL LENGTH (w/ Bucket & Weight)	B		165.8"	
	OVERALL WIDTH (w/ out Bucket)	C		59.8"	
	OVERALL OPERATING HEIGHT	D		137.8"	
	HEIGHT TO HINGE PIN	E		9'2.7"	
	DUMP ANGLE FULLY RAISED	F		43°	
	DUMP HEIGHT	G		7'4.4"	
	REACH FULLY RAISED	H		30.8"	
	DIGGING DEPTH	I		2.6"	
	WHEELBASE	J		69.9"	
	GROUND CLEARANCE	K		11.3"	
	TREAD	L		46.5"	
	ANGLE OF ARTICULATION (Each Way)	M		40°	
	FRAME OSCILLATION (Each Way)	N		8°	
LIFTING SPECIFICATIONS	TIPPING LOAD STRAIGHT (SAE Rating)				
	with Bucket		4,585 lbs.		
	with Pallet Forks		3,300 lbs.		
	TIPPING LOAD FULL TURN (SAE Rating)				
	with Bucket		3,850 lbs.		
	with Pallet Forks		2,800 lbs.		
OPERATING LOAD					
with Bucket		1,925 lbs.			
with Pallet Forks		1,400 lbs.			
COUNTER WEIGHT / Standard		1,500 lbs.			
OPERATIONAL SPECIFICATIONS	STANDARD BUCKET CAPACITY		.50 cubic yards		
	BUCKET BREAKOUT FORCE		6,550 lbs.		
	LOADER RAISE TIME		4.24 seconds		
	LOADER LOWER TIME		3.11 seconds		
	BUCKET DUMP TIME		0.86 seconds		
	DRAW BAR PULL		5,500 lbs.		
	LOADER CLEARANCE CIRCLE	O	23'10.6"		
	OPERATING WEIGHT		7,450 lbs.		
	STANDARD TIRES		12.5/70-16 8-ply		
DRIVE TRAIN & HYDRAULIC PUMP	TRANSMISSION		Load Sensing Transmission		
	NUMBER OF SPEEDS		1 Forward/ 1 Reverse		
	TRAVEL SPEED		0 to 12.5 mph		
	w / Travel Speed Limiter On		0 to 3.1 mph		
	BRAKES / Service		Enclosed, Self Adjusting Wet Disc		
	/ Parking		Spring Applied, Hydraulic Released Wet Disc		
	PUMP TYPE AND OUTPUT				
	/ LST		19.2 gpm @ 4,970 psi		
	/ MAIN		11.1 gpm @ 2,700 psi		
	/ CHARGE		4.5 gpm @ 285 psi		
AUXILIARY HYDRAULIC FLOW		11.1 gpm front and rear			
FLUID REFILL	FUEL TANK		14.3 gal.		
	HYDRAULIC SYSTEM		15.9 gal.		
	HYDRAULIC RESERVOIR		11.1 gal.		

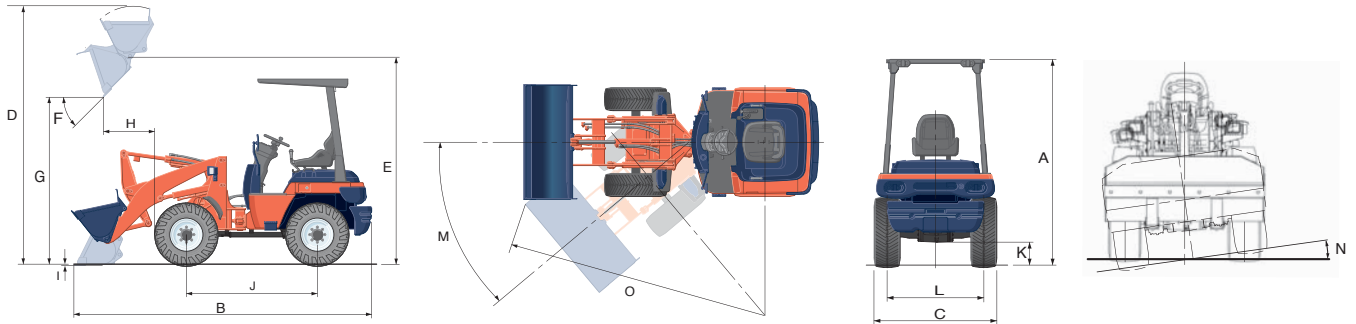
Specifications subject to change without notice. For your safety, ROPS with a seatbelt is strongly recommended by Kubota in almost all applications.

# R

# R420S

# SPECIFICATIONS

## DIMENSIONS



## BACKHOE SPECIFICATIONS

MODEL		R420S/RBK4009S
Reach from centerline of swing pivot	A	145.7"
Overall operating height	B	126.8"
Loading height	C	80.3"
Digging depth (2' flat bottom)	D	107.3"
Digging depth (Maximum)	E	108.3"
Side shift (Each way)	-	19.5"
Digging force bucket	-	4,100 lbs.
Digging force dipperstick cylinder	-	2,755 lbs.

