

R**R520S****Kubota****SPECIFICATIONS****Specifications**

	MODEL	ROPS/FOPS	2-Post Canopy	R520S	Cab
ENGINE	MAKE & MODEL		Kubota V2203-M-E3		
	TYPE		Liquid cooled, 4-Cylinder Diesel		
	HORSEPOWER (SAEJ 1995 gross)		46.0 @ 2,600 rpm		
	(SAEJ 1349 net)		43.8 @ 2,600 rpm		
	DISPLACEMENT		134.1 cu. in.		
	TURBOCHARGER		NO		
E-TVCS		YES			
DIMENSIONAL SPECIFICATIONS	OVERALL HEIGHT	A	101.6"		106.5"
	OVERALL LENGTH (w/ Bucket & Weight)	B		184.5"	
	OVERALL WIDTH (w/ out Bucket)	C		69.3"	
	OVERALL OPERATING HEIGHT	D		165.0"	
	HEIGHT TO HINGE PIN	E		10'10.3"	
	DUMP ANGLE FULLY RAISED	F		41°	
	DUMP HEIGHT	G		8'9.2"	
	REACH FULLY RAISED	H		33.9"	
	DIGGING DEPTH	I		1.8"	
	WHEELBASE	J		76.8"	
	GROUND CLEARANCE	K		12.8"	
	TREAD	L		53.5"	
	ANGLE OF ARTICULATION (Each Way)	M		40°	
	FRAME OSCILLATION (Each Way)	N		8°	
LIFTING SPECIFICATIONS	TIPPING LOAD STRAIGHT (SAE Rating)				
	with Bucket		5,190 lbs.		
	with Pallet Forks		3,870 lbs.		
	TIPPING LOAD FULL TURN (SAE Rating)				
	with Bucket		4,410 lbs.		
	with Pallet Forks		3,250 lbs.		
OPERATING LOAD					
with Bucket		2,205 lbs.			
with Pallet Forks		1,625 lbs.			
COUNTER WEIGHT / Standard		2,200 lbs.			
OPERATIONAL SPECIFICATIONS	STANDARD BUCKET CAPACITY		.75 cubic yards		
	BUCKET BREAKOUT FORCE		7,425 lbs.		
	LOADER RAISE TIME		4.89 seconds		
	LOADER LOWER TIME		3.41 seconds		
	BUCKET DUMP TIME		1.11 seconds		
	DRAW BAR PULL		6,170 lbs.		
	LOADER CLEARANCE CIRCLE	O	26'2.0"		
	OPERATING WEIGHT		8,980 lbs.		
	STANDARD TIRES		15.5/60-18 8-ply		
	TRANSMISSION		Load Sensing Transmission		
NUMBER OF SPEEDS		1 Forward/ 1 Reverse			
TRAVEL SPEED		0 to 12.5 mph			
w / Travel Speed Limiter On		0 to 3.1 mph			
DRIVE TRAIN & HYDRAULIC PUMP	BRAKES		Enclosed, Self Adjusting Wet Disc		
	/ Service				
	/ Parking		Spring Applied, Hydraulic Released Wet Disc		
	PUMP TYPE AND OUTPUT				
	/ LST		19.2 gpm @ 5,680 psi		
	/ MAIN		15.4 gpm @ 2,700 psi		
	/ CHARGE		4.5 gpm @ 285 psi		
AUXILIARY HYDRAULIC FLOW		15.4 gpm front and rear			
FLUID REFILL	FUEL TANK		14.3 gal.		
	HYDRAULIC SYSTEM		15.6 gal.		
	HYDRAULIC RESERVOIR		11.6 gal.		

Specifications subject to change without notice. For your safety, ROPS with a seatbelt is strongly recommended by Kubota in almost all applications.

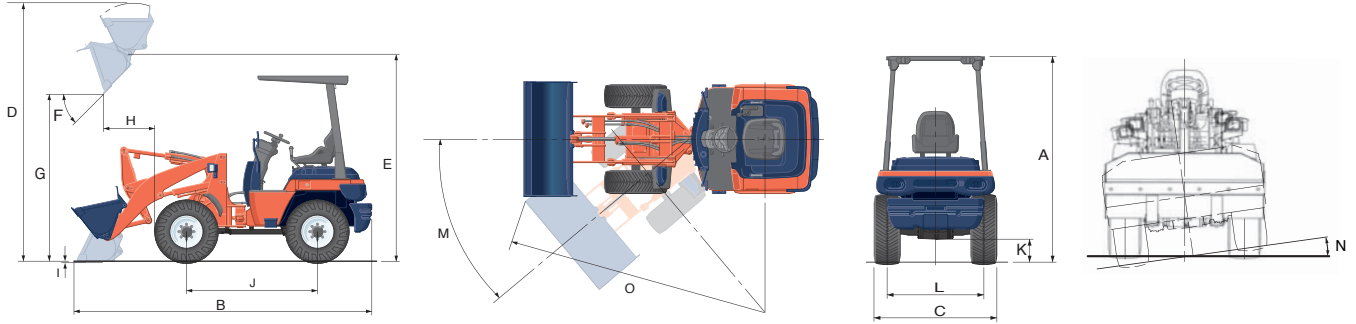
R

R520S

Kubota

SPECIFICATIONS

DIMENSIONS



BACKHOE SPECIFICATIONS

MODEL		R520S/RBK5009S
Reach from centerline of swing pivot	A	145.7"
Overall operating height	B	126.8"
Loading height	C	80.3"
Digging depth (2' flat bottom)	D	107.3"
Digging depth (Maximum)	E	108.3"
Side shift (Each way)	-	19.5"
Digging force bucket	-	4,100 lbs.
Digging force dipperstick cylinder	-	2,755 lbs.

