



# L45



# SPECIFICATIONS

## TRACTOR SPECIFICATIONS

<b>Engine</b>	Gross power (SAE)	45.0 HP (33.6 kW)
	Net power (SAE)	42.5 HP (31.7 kW)
	Total displacement	134.1 cu.in. (2197 cm <sup>3</sup> )
	No. of cylinders	4
	Rated speeds	2700 rpm
<b>Max. PTO power</b>		32.0 HP (23.9 kW)
<b>Fuel tank capacity</b>		11.9 gal (45 litres)
<b>Tire size</b>	Front	27 x 10.5-15R4
	Rear	15-19.5R4
<b>Wheelbase</b>		72.5 in (1841 mm)
<b>Tread</b>	Front	45.9 in (1165 mm)
	Rear	56.1 in (1426 mm)
<b>Weight with Loader, Backhoe and ROPS/FOPS<sup>1)</sup></b>		7173 lbs (3254 kg)
<b>Min. turning radius</b>		11.2 ft. (3.4 m)
<b>Rear PTO</b>		Independent, 540 rpm
<b>Clutch</b>		Dry, Single
<b>Power steering</b>		Hydrostatic
<b>Transmission</b>	Type	HST Plus
	No. of speeds	Infinite
	Max. traveling speed	14.9 mph (24.0 km/h)
	Range shift lever position	Seat side, right
<b>Brake type</b>		Wet disc
<b>Hydraulic system</b>	Pump capacity	25.0 gpm (94.9 l/min.) <sup>2)</sup>
	3-point hitch lift capacity at 24 in. (610mm) behind lift point	2756 lbs (1250 kg)
	Position control	Standard
<b>3-point hitch (Category I)</b>		Optional
<b>ROPS</b>		4 post, Standard
<b>FOPS</b>		Standard
<b>Others</b>	Loader-integrated reinforced frame	Standard
	Reversible seat	Standard
	Tilt steering	Standard
	Muffler	Enclosed
	Pedals	Hanging type
	Deck	Walk-through deck
	Glow plug	Super glow

<sup>1)</sup>With round back loader bucket, 18" backhoe bucket and standard tires.

<sup>2)</sup>11.8GPM for loader/backhoe, 6.6GPM for backhoe boom swing, 6.6GPM for power steering.

## LOADER SPECIFICATIONS

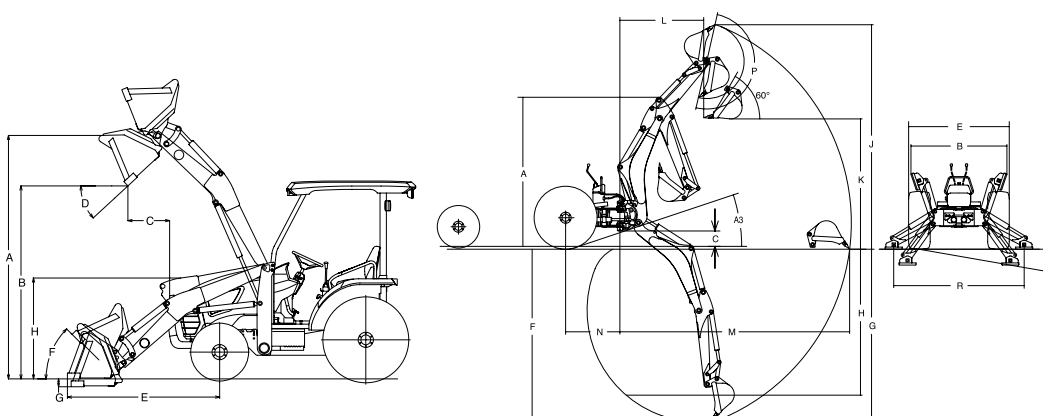
<b>Lift capacity to max. height at bucket bottom mid point:</b>	2200 lbs (1000 kg)
<b>Lift capacity to max. height at pivot pin:</b>	2848 lbs (1292 kg)
<b>Breakout force at pivot pin:</b>	4530 lbs (20152 N)
<b>Control valve:</b>	One detent float position power beyond circuit hydraulic dual self-leveling valve
<b>Net weight (Approx.):</b>	1040 lbs (472 kg)
<b>Auto-leveling mechanism:</b>	Standard, Hydraulic
<b>Operating Dimensions:</b>	
A.Maximum lift height to pivot pin.....	113.9 in (2893 mm)
B.Clearance with bucket dumped.....	90.0 in (2287 mm)
C.Reach at maximum height.....	16.8 in ( 426 mm)
D.Maximum dump angle.....	44 deg.
E.Reach with bucket on ground.....	68.5 in (1739 mm)
F.Bucket rollback angle.....	48 deg.
G.Digging depth.....	3.5 in ( 89 mm)
H.Overall height in carrying position....	55.2 in (1402 mm)
<b>Performance Ratings (No Load)</b>	
	<b>Self-leveling on off</b>
<b>Raise to full height:</b> .....	3.6 sec. 3.2 sec.
<b>Lowering time self level valve:</b> .....	5.8 sec. 3.5 sec.
<b>Attachment rollback time:</b> .....	1.9 sec. 1.9 sec.
<b>Attachment dumping time:</b> .....	2.2 sec. 2.2 sec.

\*Tires applied: 27x10.5-15R4 (Front) and 15-19.5R4 (Rear)

## BACKHOE SPECIFICATIONS

<b>Digging force using bucket cylinder (approx.)</b>	5825 lbs (25892 N)
<b>Digging force using dipperstick cylinder (approx.)</b>	3779 lbs (16797 N)
<b>Trunnion type boom swing mechanism</b>	Two cylinders
<b>Operating Dimensions:</b>	
A.Transport height	106.3 in (2700 mm)
B.Stabilizer spread-transport	67.2 in (1707 mm)
C.Ground clearance	12.3 in ( 312 mm)
E.Overall width	71.2 in (1809 mm)
F.Digging depth, maximum	121.0 in (3073 mm)
G.Digging depth, 2ft. flat bottom	120.0 in (3048 mm)
H.Digging depth, 8ft. flat bottom	102.2 in (2596 mm)
J.Operating height, fully raised	157.2 in (3993 mm)
K.Loading height	91.3 in (2319 mm)
L.Loading reach	58.7 in (1491 mm)
M.Reach from swing pivot	160.9 in (4087 mm)
N.Swing pivot to rear axle center line..	38.0 in ( 965 mm)
P.Bucket rotation	180 deg.
X.Swing arc	180 deg.
R.Stabilizer spread-operating	89.3 in (2268 mm)
A3. Angle of departure per SAE J1234	19.2 deg.
U.Leveling angle	10.0 deg.

\*The specifications are taken with KUBOTA's L45 tractor. (Tire size:27x10.5-15R4 (Front) and 15-19.5R4 (Rear))



The company reserves the right to change the above specifications without notice.

This brochure is for descriptive purposes only. Please contact your local Kubota dealer for warranty information.

For your safety, KUBOTA strongly recommends the use of a Rollover Protective Structure (ROPS) and seat belt in almost all applications.

For complete operational information, the operator's manual should be consulted.