

Rotary Cutters, Single Deck

RCR1884 Model	
	RCR1884
Machine Weight (with Front Rubber Guard and Rear Metal Band)	851 lbs. without driveline
Hitch	Category I or Category II Quick Hitch
Cutting Width	84"
Overall Width	89"
Overall Length with Tail Wheel	135 1/8"
Deck Height (Bottom of Deck to Bottom of Skid Shoe)	9 1/8"
Cutting Height	2" - 11"
Cutting Capacity	1 1/2" Diameter
Recommended Tractor PTO HP	45 - 90 HP
PTO Speed	540 rpm
Gearbox HP Rating	90 HP
Gearbox	1:1.44 Speed-Up Beveled Gears with Cast Iron Housing
Gearbox Lubrication	80-90W EPGear Lube
Gear box Input/ Output Shaft Size	Input Shaft = 1 3/8" - 6 Spline Output Shaft = 2" Dia.
Deck Construction	All welded deck
Deck Material Thickness	10 Ga.
Skid Construction	Standard 1/4" x 2 1/2" welded on
Stump Jumper	Oval 10 ga. Pan
Blades (2)	1/2" x 4" Heat Treated Alloy Steel Free-Swinging High Lift - Low Friction
Blade Bolt	Keyed with harden flat washer and lock nut
Blade Tip Speed	17,113 fpm
Driveline	ASAE Category 4
Driveline Protection	Slip Clutch
Tailwheel Mount Assembly	Welded arm and Caster Fork
Tailwheel	4" x 8" x 15" Laminated Tire
Front Guard	Optional: Rubber Guard or Chain Guard
Rear Guard	Standard: Metal Band Optional: Chain Guard

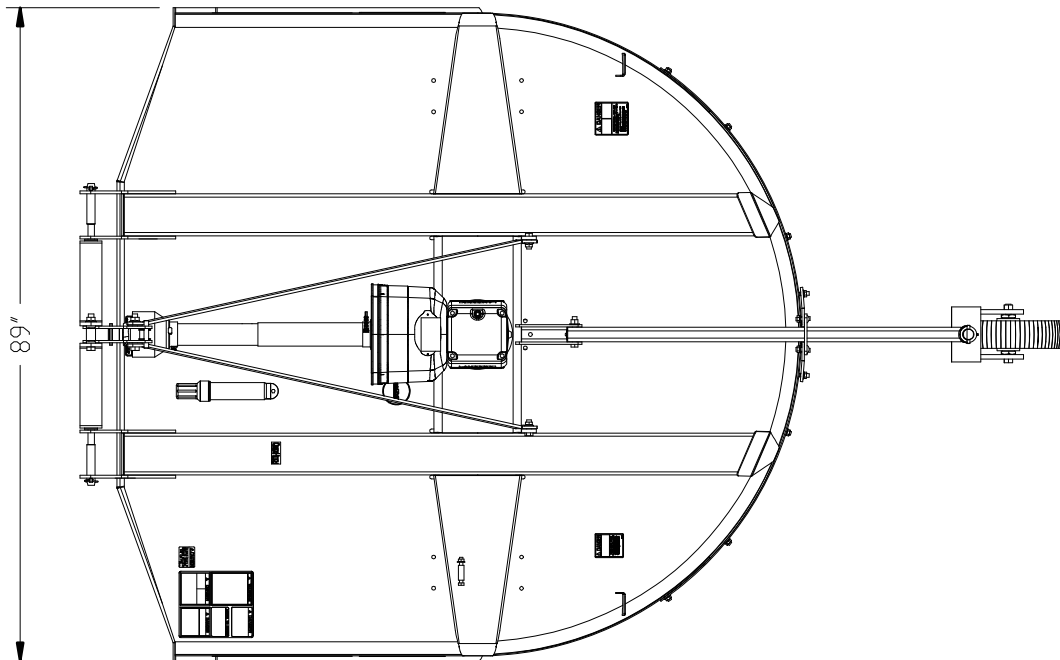
Designs, specifications, features and information are subject to change without notice.

This web site is to be used as a guide for the matching of Land Pride Implements on Kubota Tractors in average conditions. Retail customers in conjunction with Kubota/Land pride dealers should use their best judgment to select the best combination of tractor size and implement capabilities. The mismatching of tractor and implements can result in the voiding of Kubota and/or Land Pride *Warranties*.

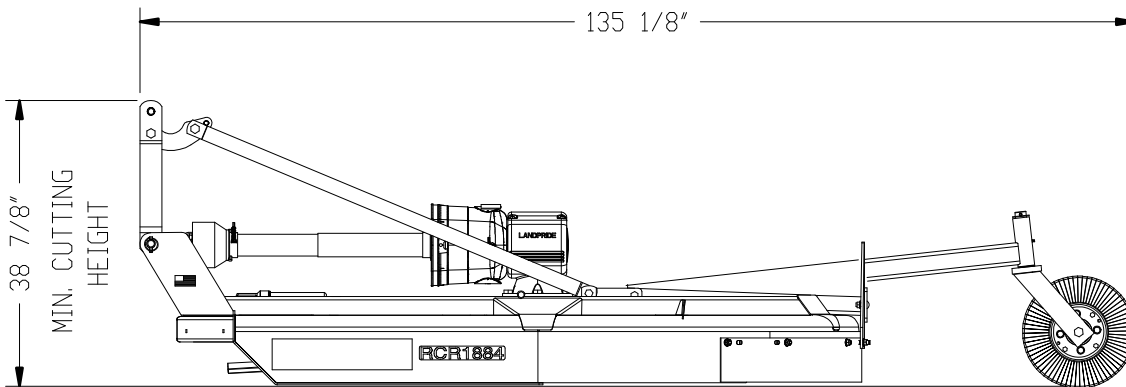
8/17/09

Specifications & Capacities

Rotary Cutters, Single Deck



27738



Designs, specifications, features and information are subject to change without notice.

This web site is to be used as a guide for the matching of Land Pride Implements on Kubota Tractors in average conditions. Retail customers in conjunction with Kubota/Land pride dealers should use their best judgment to select the best combination of tractor size and implement capabilities. The mismatching of tractor and implements can result in the voiding of Kubota and/or Land Pride *Warranties*.

8/17/09