

**Rotary Cutters, Single Deck**

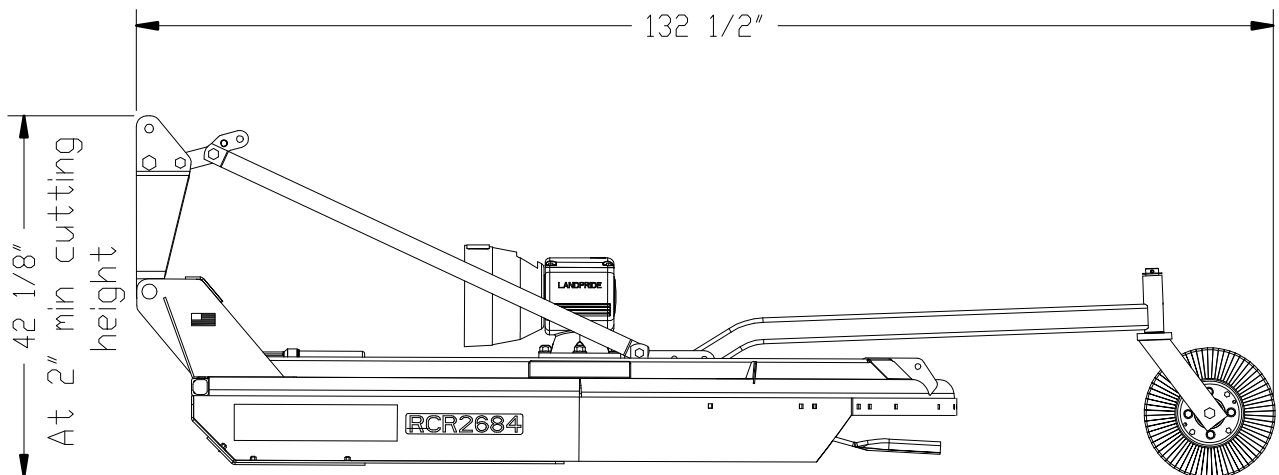
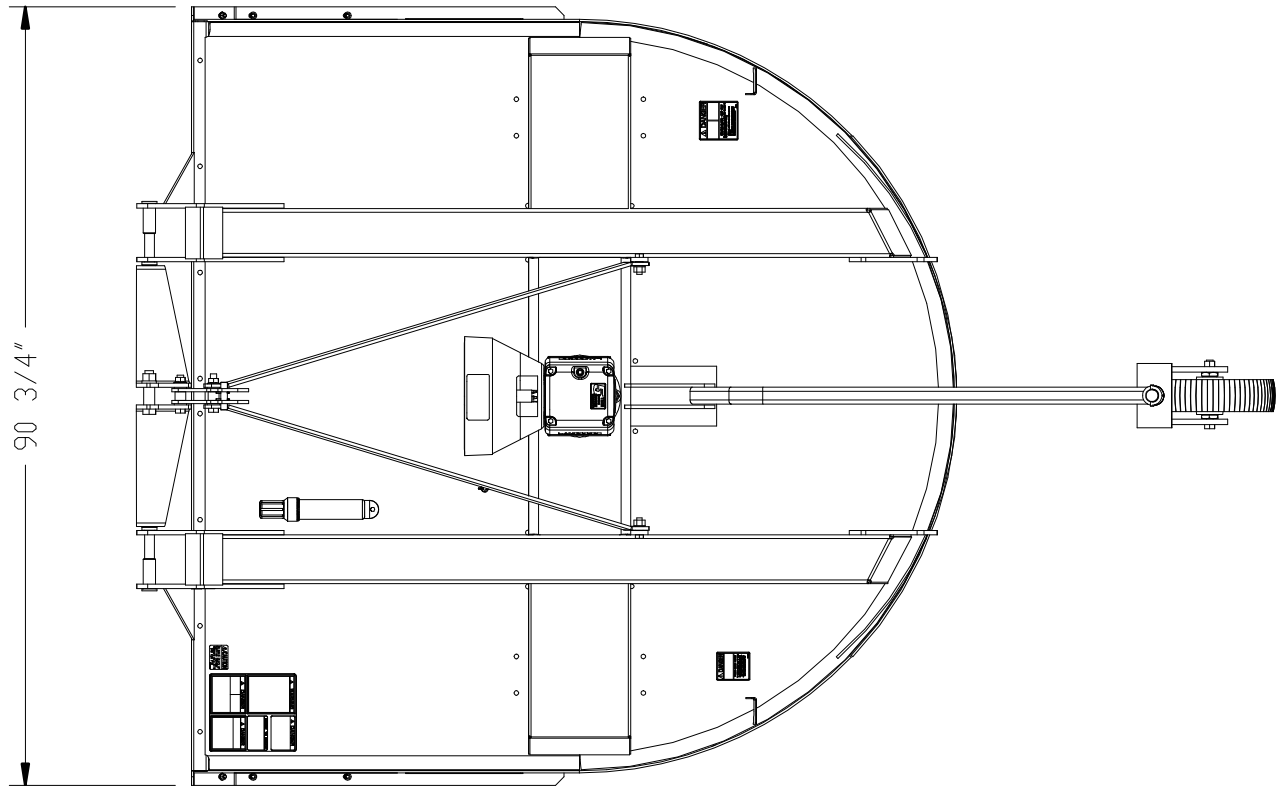
<b>RCR2684 Model</b>	
	<b>RCR2684</b>
<b>Machine Weight</b>	Single Tailwheel 1370# Dual Tailwheel 1500#
<b>Hitch</b>	Category II or Category III Quick Hitch
<b>Cutting Width</b>	84"
<b>Overall Width</b>	90 3/4"
<b>Overall Length (Including Tailwheel)</b>	Single Tailwheel 132 1/2" Dual Tailwheel 116"
<b>Deck Height</b>	10 1/8" Bottom of deck to bottom of skid.
<b>Cutting Height</b>	2" - 12"
<b>Cutting Capacity</b>	2 1/2"
<b>Recommended Tractor HP</b>	60 to 110 HP
<b>PTO Speed</b>	540 rpm
<b>Gearbox</b>	540 RPM PTO Driven, 1 3/8" 6-Spline Input Shaft, Beveled Gears in Cast Iron Housing
<b>Gearbox Lubrication</b>	80-90W EP Gear Lube
<b>Gear box Input/ Output Shaft Size</b>	Input Shaft = 1 3/8" - 6 Spline Output Shaft = 2" Dia.
<b>Deck Construction</b>	All Welded
<b>Deck Material Thickness</b>	10 Gauge
<b>Deck Side Skirt Thickness</b>	1/4"
<b>Skids</b>	Replaceable
<b>Stump Jumper</b>	Oval Pan 3/16" x 24" x 38"
<b>Blades (2)</b>	1/2" x 4" x 31" Heat Treated Alloy Steel Free-Swinging High Suction Blades
<b>Blade Bolts</b>	Keyed with Harden Flat Washer and Lock Nut
<b>Blade Tip Speed</b>	540 RPM PTO: 14,369 FPM / 163 MPH
<b>Driveline</b>	ASAE Category 4
<b>Driveline Protection</b>	4 Plate Slip Clutch
<b>Tailwheel Mount Assembly</b>	Welded Arm and Caster Fork.
<b>Tailwheel(s)</b>	Provided with single or dual tailwheels. 4.00 x 8 x 15 1/4 Laminated Tire(s) with Cast Iron Hub and Tapered Roller Bearings.
<b>Front Guard</b>	Optional: Chain guard Available through parts department: Rubber guard
<b>Rear Guard</b>	Optional: Chain guard

Designs, specifications, features and information are subject to change without notice.

This web site is to be used as a guide for the matching of Land Pride Implements on Kubota Tractors in average conditions. Retail customers in conjunction with Kubota/Land pride dealers should use their best judgment to select the best combination of tractor size and implement capabilities. The mismatching of tractor and implements can result in the voiding of Kubota and/or Land Pride *Warranties*.

## Specifications & Capacities

### Rotary Cutters, Single Deck



27561

Designs, specifications, features and information are subject to change without notice. This web site is to be used as a guide for the matching of Land Pride Implements on Kubota Tractors in average conditions. Retail customers in conjunction with Kubota/Land pride dealers should use their best judgment to select the best combination of tractor size and implement capabilities. The mismatching of tractor and implements can result in the voiding of Kubota and/or Land Pride Warranties.