

Rotary Cutters, Single Deck

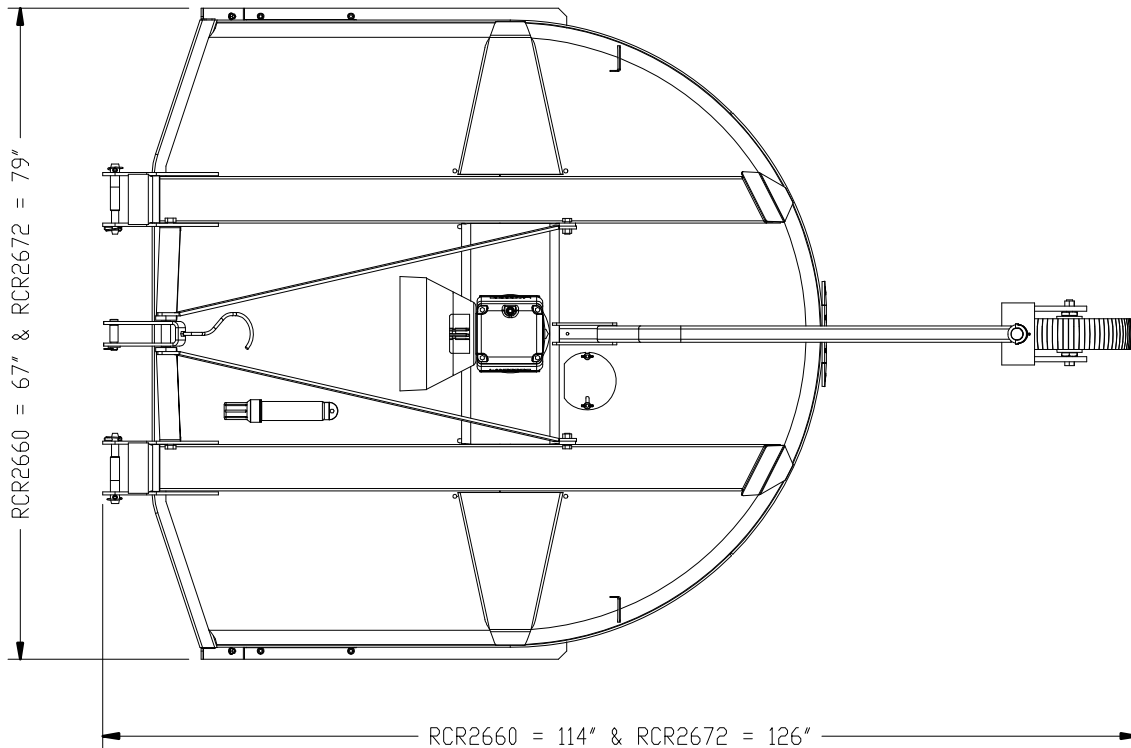
RCR2660 & RCR2672 Models		
	RCR2660	RCR2672
Machine Weight (with Chain Guards)	1,002#	1,046#
Hitch	Category I or II Quick Hitch Compatible with Floating Top Link	
Cutting Width	60"	72"
Overall Width	67"	79"
Overall Length (Including Tailwheel)	114"	126"
Deck Height	9 1/8" (Bottom of Deck to Bottom of Skid Shoe)	
Cutting Height	2" - 12"	
Cutting Capacity	2 1/2"	
Recommended Tractor HP	40-110 maximum	
PTO Speed	540 rpm	
Gearbox	540 rpm PTO Driven Gearbox 1:1.46 Speed-Up Beveled Gears Cast Iron Housing	
Gearbox Lubrication	80-90W EP oil	
Gear box Input/ Output Shaft Size	Input Shaft = 1 3/8" - 6 Spline Output Shaft = 2" Dia.	
Deck Construction	All welded construction	
Deck Material Thickness	10 Gauge	
Side Panel Thickness	1/4"	
Skids	Replaceable	
Stump Jumper	Round Pan 3/16" x 25"	Round Pan 3/16" x 32"
Blades (2)	1/2" x 4" x 25" Heat Treated Alloy Steel Free-Swinging High Lift	1/2" x 4" x 29" Heat Treated Alloy Steel Free-Swinging High Lift
Blade Bolt	Keyed with harden flat washer and lock nut	
Blade Tip Speed	12,384 fpm/788 rpm	14,861 fpm/788rpm
Driveline	ASAE Category 4	
Driveline Protection	4 Plate Slip Clutch	
Tailwheel Mount Assembly	Welded arm and Caster Fork	
Tailwheel	4.00 x 8 x 15 Laminated Tire with cast iron hub and tapered roller bearings	
Front Guard	Optional: Chain Guard Available through Parts Department: Rubber Guard	
Rear Guard	Optional: Chain Guard	

Designs, specifications, features and information are subject to change without notice.

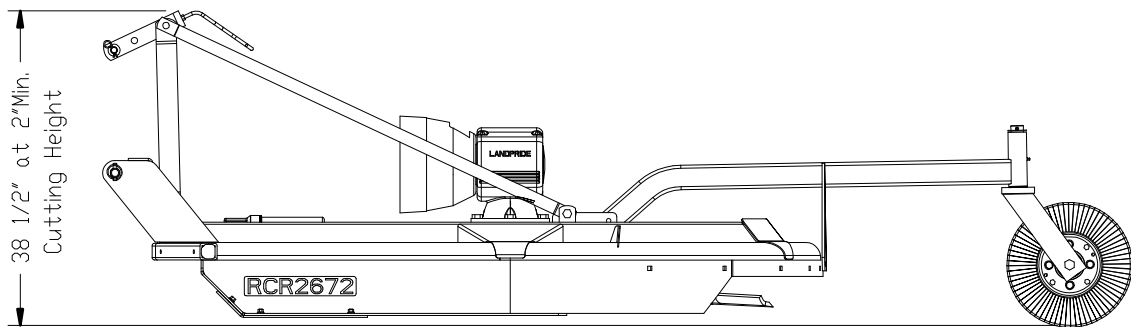
This web site is to be used as a guide for the matching of Land Pride Implements on Kubota Tractors in average conditions. Retail customers in conjunction with Kubota/Land pride dealers should use their best judgment to select the best combination of tractor size and implement capabilities. The mismatching of tractor and implements can result in the voiding of Kubota and/or Land Pride Warranties.

Specifications & Capacities

Rotary Cutters, Single Deck



27559



Designs, specifications, features and information are subject to change without notice. This web site is to be used as a guide for the matching of Land Pride Implements on Kubota Tractors in average conditions. Retail customers in conjunction with Kubota/Land pride dealers should use their best judgment to select the best combination of tractor size and implement capabilities. The mismatching of tractor and implements can result in the voiding of Kubota and/or Land Pride *Warranties*.