

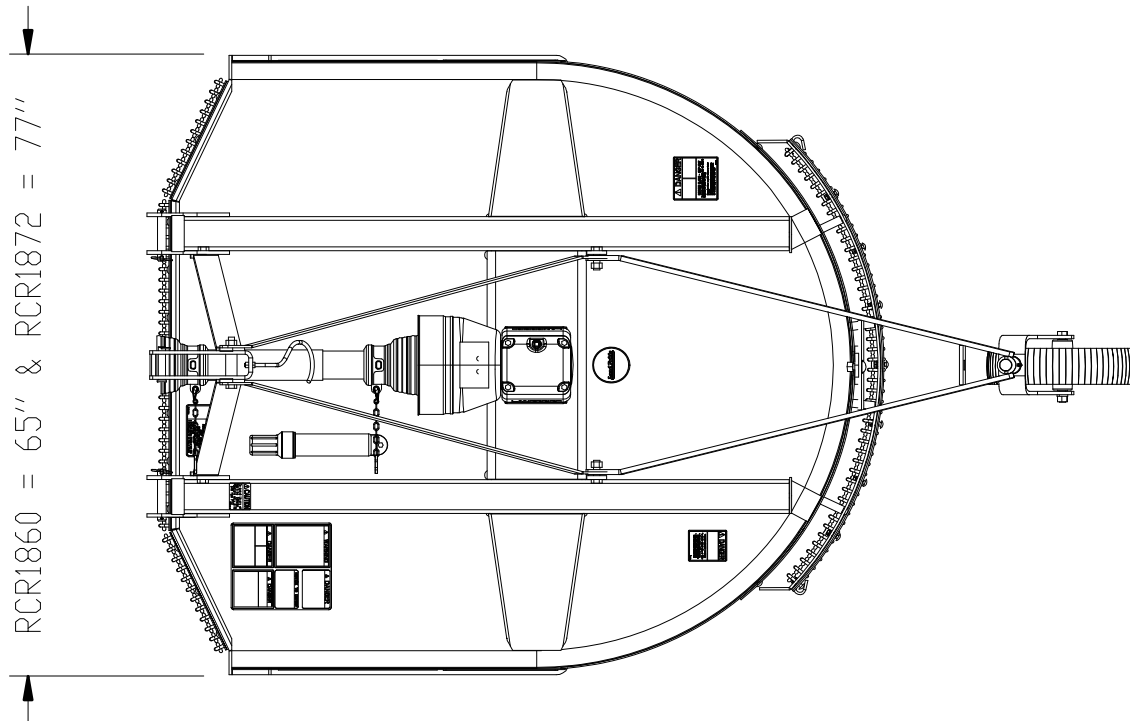
Rotary Cutters, Single Deck

RCR1860 & RCR1872 Models		
	RCR1860	RCR1872
Machine Weight	599 lbs.	737 lbs.
	With laminated tail wheel, slip clutch drive line, Front Rubber Guards and Rear metal band	
Hitch	Category I with Floating Clevis Top Link, Quick Hitch Adaptable	
Cutting Width	60"	72"
Overall Width	65"	77"
Overall Length	99 3/8"	110"
Deck Height (Bottom of Deck to Bottom of Skid Shoe)	7 1/2"	9"
Cutting Height	1 1/2" - 13"	1 1/2" to 11 1/2"
Cutting Capacity	1" Diameter	
Recommended Tractor PTO HP	20-50 HP	
PTO Speed	540 rpm	
Gearbox	1:1.93 Speed-Up Beveled Gears Cast Iron Housing 50 HP	1:1.46 Speed-Up Beveled Gears Cast Iron Housing 50 HP
Gearbox Lubricant	EP 80-90W oil	
Deck Construction	All Welded Deck	
Deck Material Thickness	11 Ga. (.120")	10 Ga. (.134")
Side Skirt Material Thickness	11 Ga.	10 Ga.
Skid Construction	Full length welded on	
Stump Jumper	Round Pan 10 ga. x 24" with Blade Holder Bar	
Blades (2)	1/2" x 3" Heat Treated Alloy Steel Free-Swinging High Lift - Low Friction	
Blade Bolts	Keyed with harden flat washers & lock nuts.	
Blade Tip Speed	16,363 fpm	14,955 fpm
Driveline	ASAE Category 3 Shear Bolt or 2-plate Slip Clutch	
Driveline Protection	Optional - Center Shearbolt protection Optional - Center Bolt 2 plate Slip Clutch	
Tailwheel Mount Assembly	Welded A-arm and Caster Fork with 360 degree swivel	
Tailwheel	4" x 8" x 15" Laminated Tire with cast iron hub or 4" x 16" Molded Rubber Tire	
Front Guard	Optional: Rubber Belting Accessory: Chain Guard	
Rear Guard	Standard: Metal Band Optional: Rubber Belting Accessory: Chain Guard	

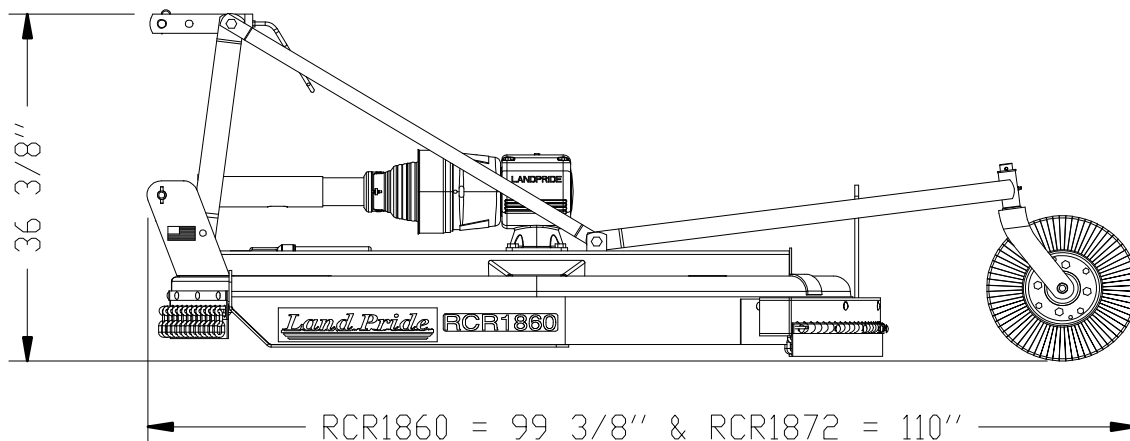
Designs, specifications, features and information are subject to change without notice. This web site is to be used as a guide for the matching of Land Pride Implements on Kubota Tractors in average conditions. Retail customers in conjunction with Kubota/Land pride dealers should use their best judgment to select the best combination of tractor size and implement capabilities. The mismatching of tractor and implements can result in the voiding of Kubota and/or Land Pride *Warranties*.

Specifications & Capacities

Rotary Cutters, Single Deck



26814



Designs, specifications, features and information are subject to change without notice. This web site is to be used as a guide for the matching of Land Pride Implements on Kubota Tractors in average conditions. Retail customers in conjunction with Kubota/Land pride dealers should use their best judgment to select the best combination of tractor size and implement capabilities. The mismatching of tractor and implements can result in the voiding of Kubota and/or Land Pride *Warranties*.