

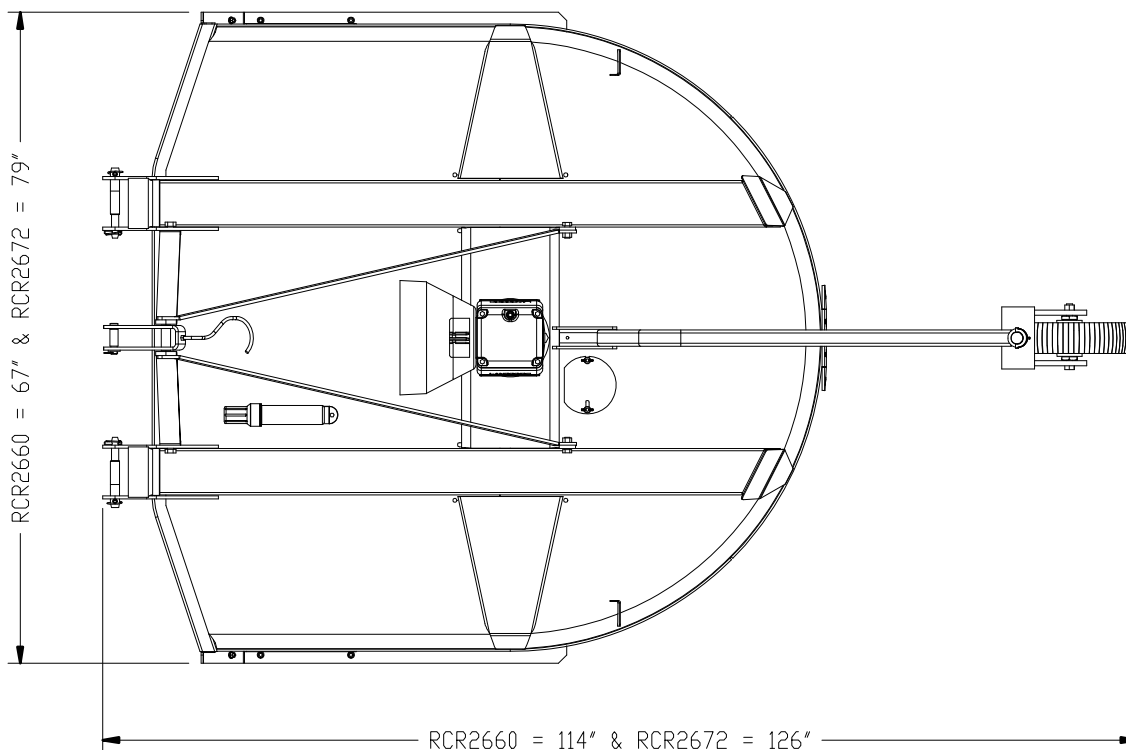
Rotary Cutters, Single Deck

| RCR2660 & RCR2672 Models | | |
|--------------------------------------|--|---|
| | RCR2660 | RCR2672 |
| Machine Weight (with Chain Guards) | 1,002# | 1,046# |
| Hitch | Category I or II Quick Hitch Compatible with Floating Top Link | |
| Cutting Width | 60" | 72" |
| Overall Width | 67" | 79" |
| Overall Length (Including Tailwheel) | 114" | 126" |
| Deck Height | 9 1/8" (Bottom of Deck to Bottom of Skid Shoe) | |
| Cutting Height | 2" - 12" | |
| Cutting Capacity | 2 1/2" | |
| Recommended Tractor HP | 40-110 maximum | |
| PTO Speed | 540 rpm | |
| Gearbox | 540 rpm PTO Driven Gearbox 1:1.46 Speed-Up Beveled Gears Cast Iron Housing | |
| Gearbox Lubrication | 80-90W EP oil | |
| Gear box Input/ Output Shaft Size | Input Shaft = 1 3/8" - 6 Spline Output Shaft = 2" Dia. | |
| Deck Construction | All welded construction | |
| Deck Material Thickness | 10 Gauge | |
| Side Panel Thickness | 1/4" | |
| Skids | Replaceable | |
| Stump Jumper | Round Pan 3/16" x 25" | Round Pan 3/16" x 32" |
| Blades (2) | 1/2" x 4" x 25" Heat Treated Alloy Steel Free-Swinging High Lift | 1/2" x 4" x 29" Heat Treated Alloy Steel Free-Swinging High Lift |
| Blade Bolt | Keyed with harden flat washer and lock nut | |
| Blade Tip Speed | 12,384 fpm/788 rpm | 14,861 fpm/788rpm |
| Driveline | ASAE Category 4 | |
| Driveline Protection | 4 Plate Slip Clutch | |
| Tailwheel Mount Assembly | Welded arm and Caster Fork | |
| Tailwheel | 4.00 x 8 x 15 Laminated Tire with cast iron hub and tapered roller bearings | |
| Front Guard | Optional: Chain Guard Available through Parts Department: Rubber Guard | |
| Rear Guard | Optional: Chain Guard | |

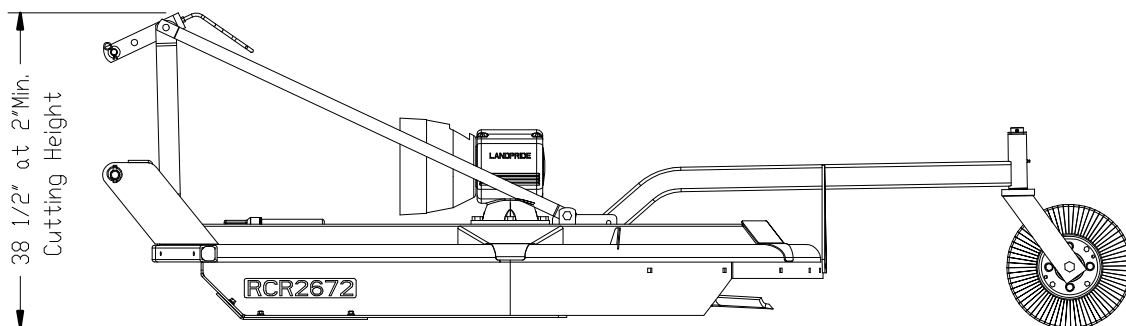
Designs, specifications, features and information are subject to change without notice. This web site is to be used as a guide for the matching of Land Pride Implements on Kubota Tractors in average conditions. Retail customers in conjunction with Kubota/Land pride dealers should use their best judgment to select the best combination of tractor size and implement capabilities. The mismatching of tractor and implements can result in the voiding of Kubota and/or Land Pride Warranties.

Specifications & Capacities

Rotary Cutters, Single Deck



27559



Designs, specifications, features and information are subject to change without notice. This web site is to be used as a guide for the matching of Land Pride Implements on Kubota Tractors in average conditions. Retail customers in conjunction with Kubota/Land pride dealers should use their best judgment to select the best combination of tractor size and implement capabilities. The mismatching of tractor and implements can result in the voiding of Kubota and/or Land Pride *Warranties*.