

# KUBOTA Earthquake Resistant Ductile Iron Pipe (ERDIP)

3" ~ 104" (75 ~ 2600mm)



**KUBOTA Corporation**

Pipe Systems Global Marketing & Sales Dept.

1-3, Kyobashi 2-chome, Chuo-ku, Tokyo, 104-8307, JAPAN

Tel : +81-3-3245-3228

Fax : +81-3-3245-3830

Website : <https://www.kubota.com/products/ironpipe/>

E-mail : [kbt\\_g.ironpipe@kubota.com](mailto:kbt_g.ironpipe@kubota.com)

Ductile Iron Pipes  
WEBSITE



**KUBOTA Corporation**



# Lineup of ERDIP

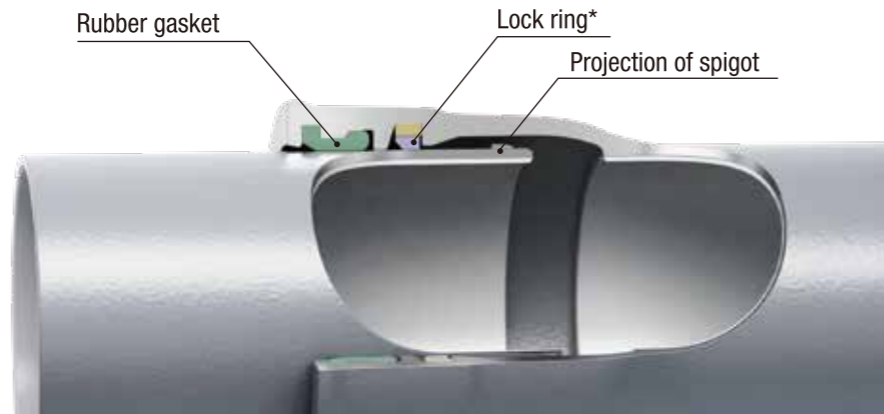
## Pipes

**GENEX®**

Nominal Diameter  
**3" ~ 16"**  
(75mm) ~ (400mm)

Push-on joint

Wall Thickness: D1/DS



\*External coating: C-protect

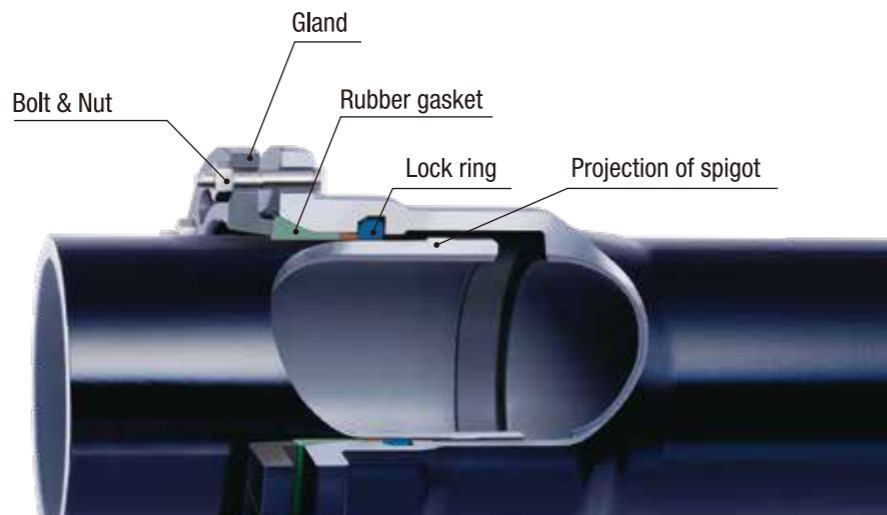
\*Lock ring is preset.

**N S**

Nominal Diameter  
**20" ~ 40"**  
(500mm) ~ (1000mm)

Mechanical joint

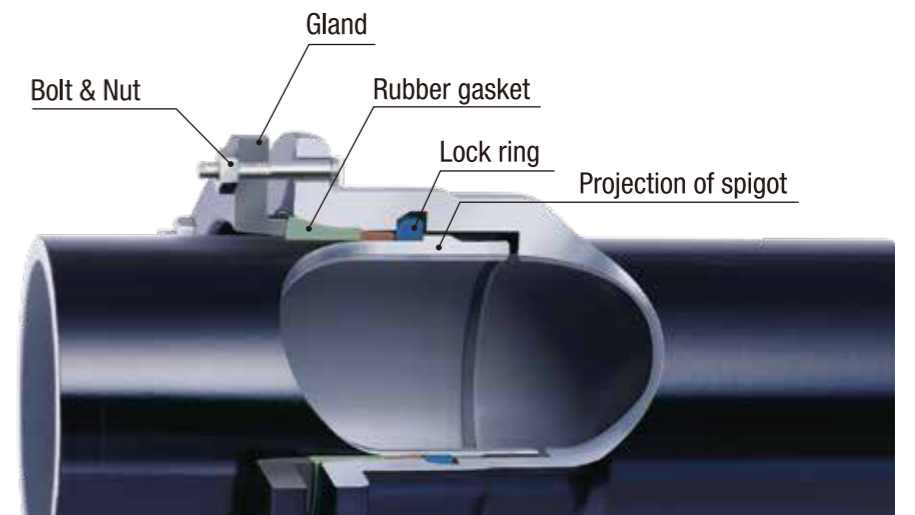
Wall Thickness: DS



**N S**

Nominal Diameter  
**20" ~ 40"**  
(500mm) ~ (1000mm)

Mechanical joint

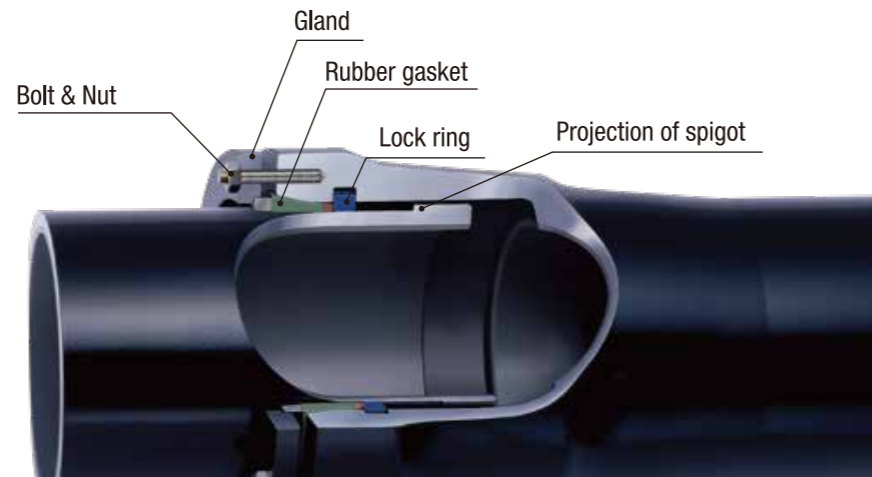


**S**

Nominal Diameter  
**44" ~ 104"**  
(1100mm) ~ (2600mm)

Mechanical joint

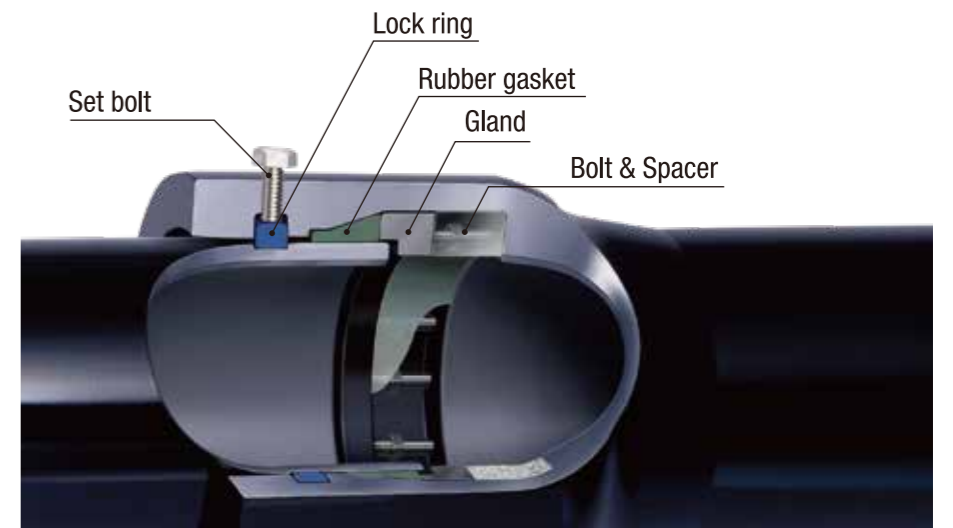
Wall Thickness: D1/D2/D3



**U F**

Nominal Diameter  
**32" ~ 104"**  
(800mm) ~ (2600mm)

Mechanical joint

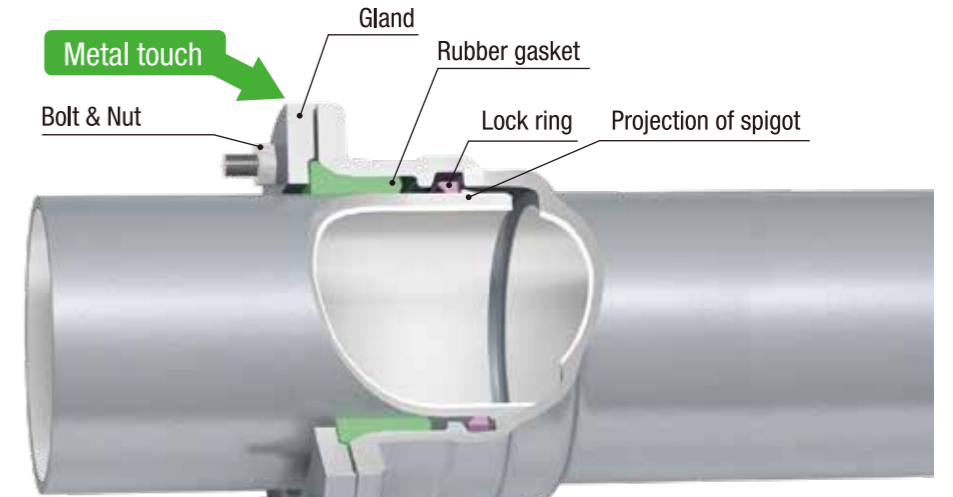


## Fittings

**GENEX®**

Nominal Diameter  
**3" ~ 16"**  
(75mm) ~ (400mm)

Mechanical joint



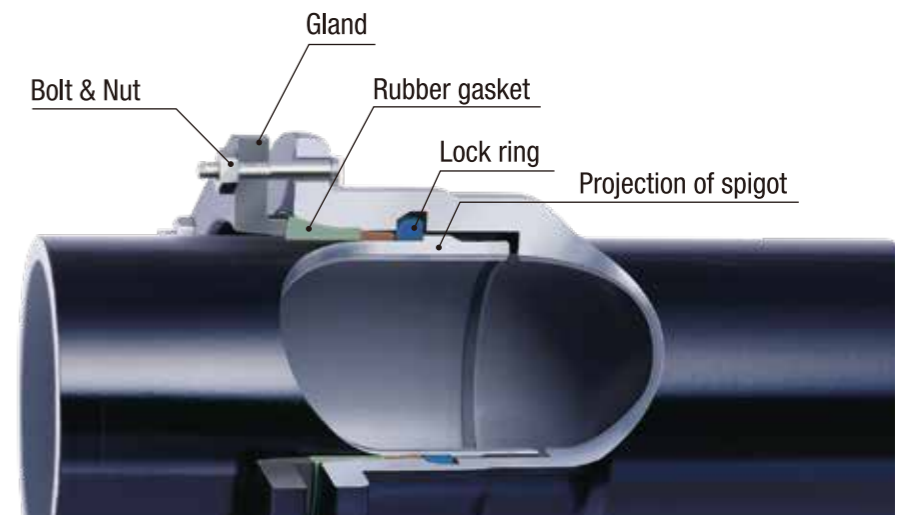
\*External coating: C-protect

\*Lock ring is preset.

**N S**

Nominal Diameter  
**20" ~ 40"**  
(500mm) ~ (1000mm)

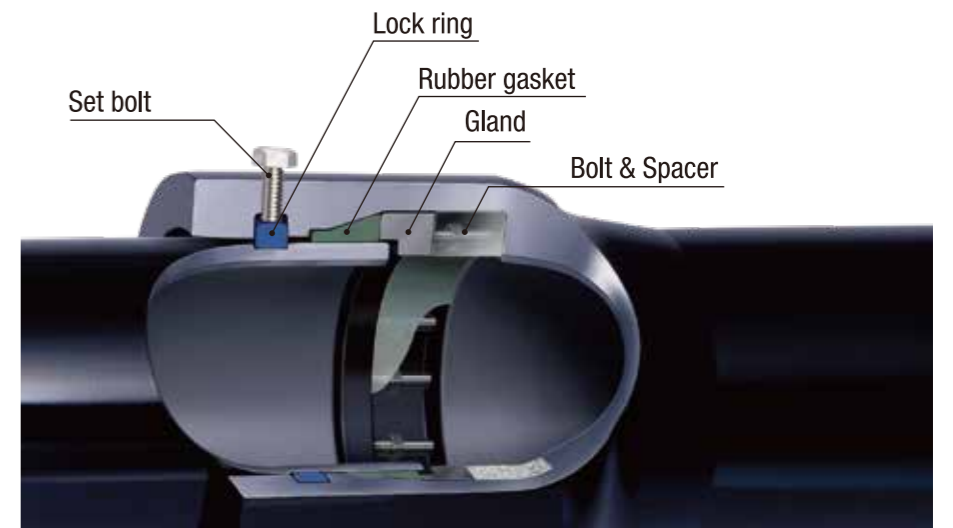
Mechanical joint



**U F**

Nominal Diameter  
**32" ~ 104"**  
(800mm) ~ (2600mm)

Mechanical joint





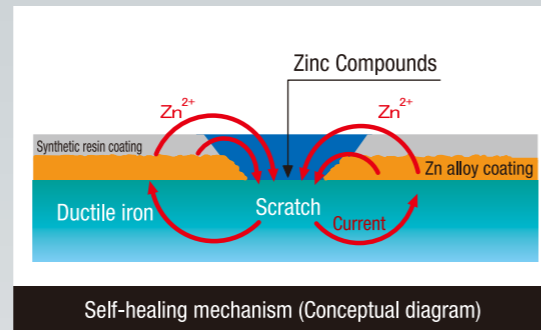
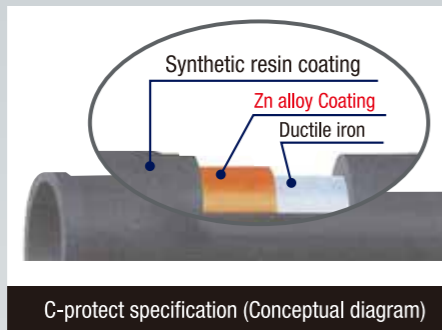
## External coating

Pipes and fittings will be coated externally as the following table.

GENEX® 3"~16" (75mm~400mm) C-protect	NS 20"~40" (500mm~1000mm) Synthetic resin coating	S 44"~104" (1100mm~2600mm) Synthetic resin coating
--	---	--

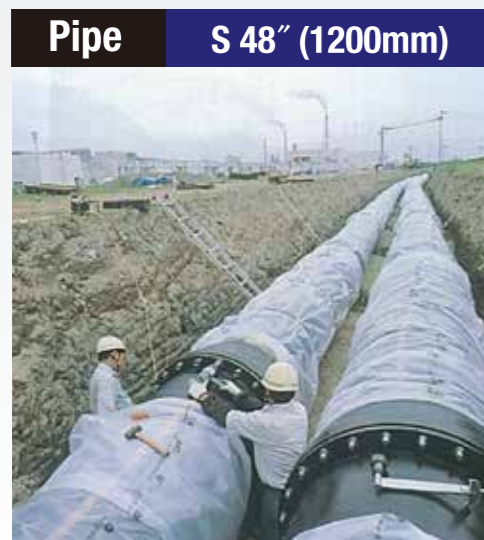
## C-protect (anti-corrosion external coating)

- C-protect (External coating) has excellent anti-corrosion performance.
- C-protect also has self-healing performance against scratches through the effect of sacrificial protection.
- C-protect is made of Zinc alloy, and synthetic resin coating.



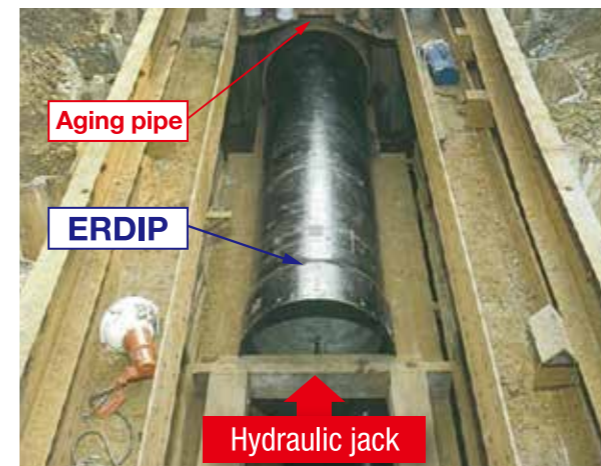
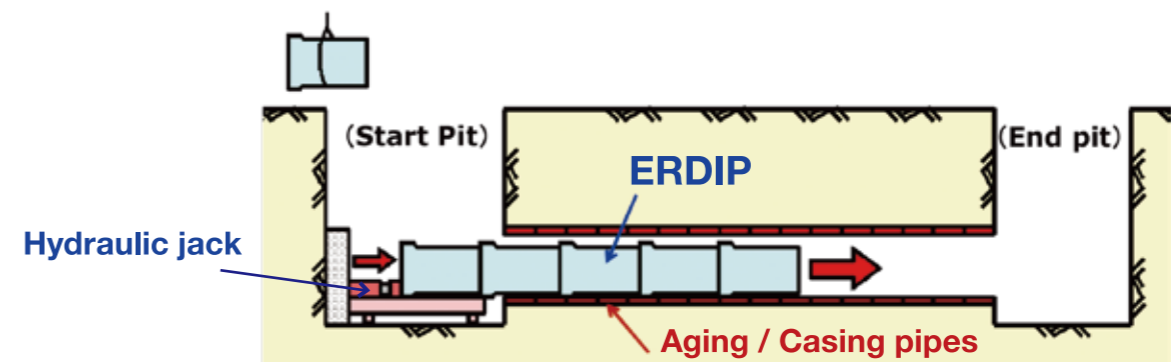
## Installation

ERDIP can be installed very easily by using simple jointing tools.



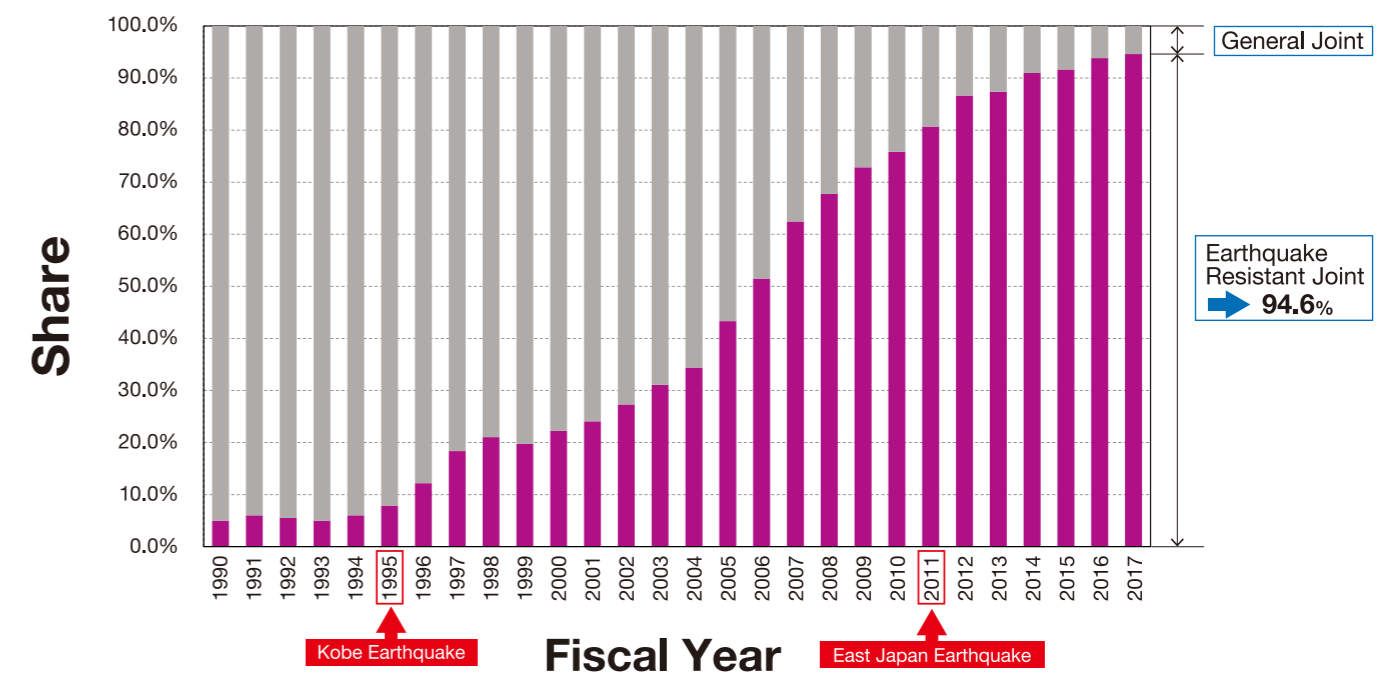
## ERDIP for Pipe-in-Pipe / Casing method installation

ERDIP is also available for pipe-in-pipe / casing method installation in the range of 12" (300mm) to 60" (1500mm), insert new ERDIP into the aging / casing pipes by trenchless method. For detail, please contact us.



## Share of ERDIP in Japan

The amount of installed ERDIP has increased drastically in Japan after the 1995 Kobe Earthquake.



$$\text{Share} = \frac{\text{Earthquake Resistant DIP shipment (in length)}}{\text{All DIP shipment}}$$

Source: Japan Ductile Iron Pipe Association